

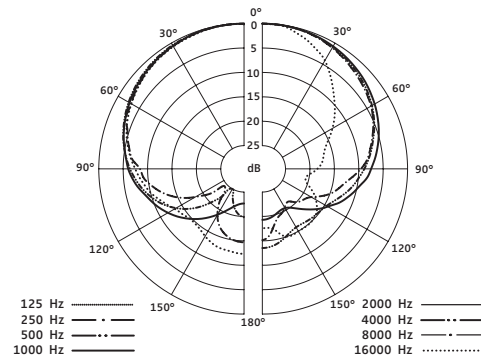
**General Description**

The cardioid e 935 is a fully professional vocal microphone, developed to cut through high on-stage levels.



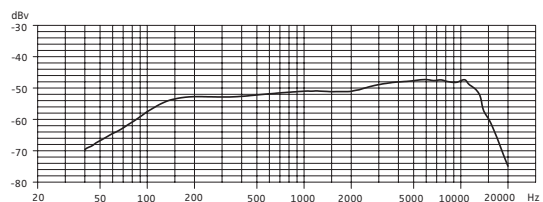
**Technical Data**

Transducer principle .....	dynamic
Pick-up pattern .....	cardioid
Frequency response .....	40 – 18,000 Hz
Sensitivity (free field, no load, 1 kHz) .....	2.8 mV/Pa at 1 kHz = -51 dB (0 dB = 1V/Pa)
Nominal impedance .....	350 Ω
Min. terminating impedance .....	1 kΩ
Dimensions .....	47 x 181 mm (1.85" x 7.13")
Weight .....	330 g (11.64 oz)



**Features**

- Rugged metal body
- Advanced shock-mount design
- Consistent on-/off-axis response
- Hum compensating coil
- Delivery includes a pouch and a microphone clamp



**Profile**

Cardioid professional vocal microphone, hum compensating coil, frequency response 40 – 18,000 Hz, sensitivity (free field, no load) 2.8 mV/Pa at 1 kHz = -51 dB (0 dB = 1V/Pa), nominal impedance 350 Ω, min. terminating impedance 1 kΩ, dimensions 47 x 181 mm (1.85" x 7.13"), weight 330 g (11.64 oz).